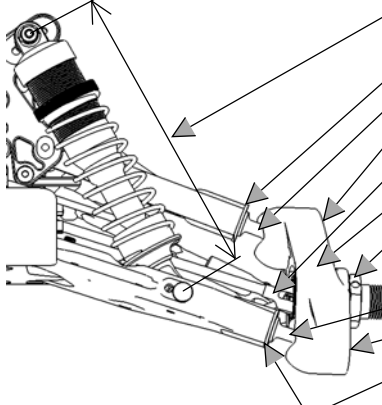


<p>Name: _____</p> <p>Date: _____</p> <p>Track: _____</p>	<p>Track Condition</p> <p>Size: <input type="checkbox"/>Open <input type="checkbox"/>Med. <input type="checkbox"/>Tight</p> <p>Traction: <input type="checkbox"/>High <input type="checkbox"/>Med. <input type="checkbox"/>Low</p> <p>Surface: <input type="checkbox"/>Smooth <input type="checkbox"/>Med. <input type="checkbox"/>Bumpy</p>	<p>Result</p> <p>Race time / Lap: _____</p> <p>Best lap (1Lap): _____</p>
--	---	--

Front Suspension



Rebound stop: _____

Kingpin ball spacer: _____

E0160 E2123(Steel)

E0159 E2124(Steel)

E2218 E0220(CVD)

E2146 E2147(1.5)

E0239 E0240(1mm)

E0241(2mm)

E0160 E2123(Steel)

E0159 E2124(Steel)

Kingpin ball spacer: _____

Ride height: _____

Toe angle: _____

Lower arm plate: _____

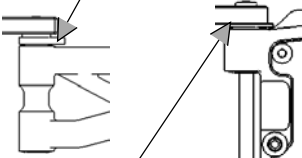
E2144A,B

E2154(CFRP 1mm)

E2155(CFRP 1.2mm)

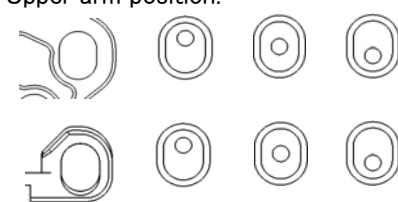
Anti roll bar: _____

Upper arm spacer: _____

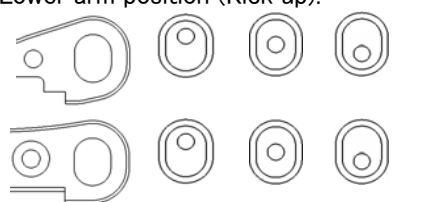


Lower arm spacer: _____

Upper arm position:



Lower arm position (Kick up):




Front Shocks

Piston: _____ Oil: _____

Spring: _____

Shock position:



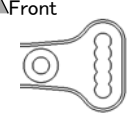
Pivot ball position: Front Rear

Damper stay: E2562(Aluminum)

E2565(CFRP)

Ackermann

▲Front



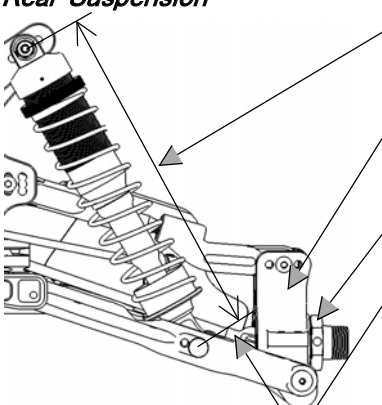
Front Upper Plate

E2148D E2158(CFRP)

Servo Saver Arm

E2301A E2310(Aluminum)

Rear Suspension



Rebound stop: _____

E2131

E2134(Aluminum)

E0239 E0240(1mm)

E0241(2mm)

E2219 E0220(CVD)

Ride height: _____

Camber angle: _____

Lower arm plate: _____

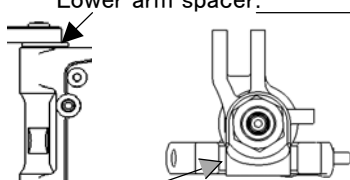
E2145A,B

E2156(CFRP 1mm)

E2157(CFRP 1.2mm)

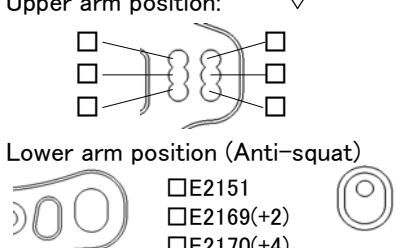
Anti roll bar: _____

Lower arm spacer: _____

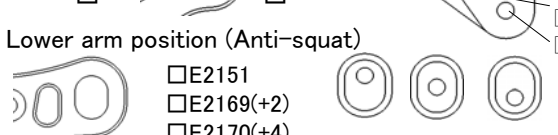


Upright spacer: _____

Upper arm position:



Lower arm position (Anti-squat)

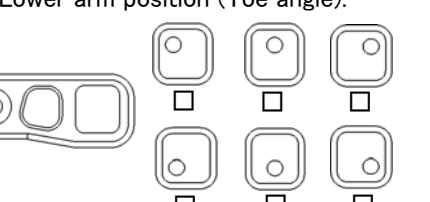


E2151

E2169(+2)

E2170(+4)

Lower arm position (Toe angle):

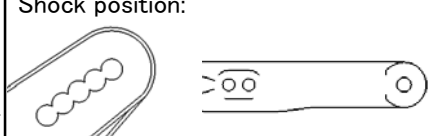


Rear Shocks

Piston: _____ Oil: _____

Spring: _____

Shock position:



Pivot ball position: Front Rear

Damper stay: E2563(Aluminum)

E2566(CFRP)

Center Shaft

E2261,E2262


E0223,E0259 CVD E2228,E2229

Tension Rod

Front: E2107A(Long) E2107B(Short)

Rear: E2148C E0803(Rubber)

Ballast



_____ g _____ g

Engine

Type: _____ Plug: _____ Reducer: _____

Muffler: _____ Fuel: _____ Gasket: _____

Engine mount: E0701(Standard) E2713(One piece)

Differential **Oil**

Front: 44/13T 42/12T

Rear: 44/13T 42/12T

Center: 44T 46T

47T 48T

Tyres

	Front	Rear
Type: _____	_____	_____
Compound: _____	_____	_____
Inserts: _____	_____	_____
Wheel: _____	_____	_____

Clutch Clutchbell: 13T 14T

	φ 0.9	φ 0.95	φ 1.0	φ 1.05	φ 1.1
A <input type="checkbox"/> C0754 <input type="checkbox"/> E0704 <input type="checkbox"/> E0710					
B <input type="checkbox"/> C0754 <input type="checkbox"/> E0704 <input type="checkbox"/> E0710					
C <input type="checkbox"/> C0754 <input type="checkbox"/> E0704 <input type="checkbox"/> E0710					

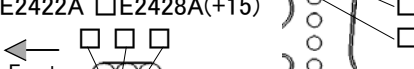
Body & Wing

Body: _____

Wing: _____

Wing stay: E2422A E2428A(+15)

Wing position: _____



Comments